

# HBL2810 -- Twist-Lock Receptacle



4P5W, 30A 3PH 120/208V AC, L21-30R, Black Nylon Face

## Product Specifications

### Product Type



### Product Item

Single Receptacle

### Wiring Scheme

4 Pole, 5 Wire Grounding

### Amperage

30A

### Voltage

3 Phase Y 120/208V AC

### NEMA Configuration

L21-30R

### Item Style

Standard

### Device Color

Black

### Horsepower

3

### Terminal Clamp Material

.040" (1.0 )Brass

### Terminal Screw Material

#10-32 Bronze (White finish on neutral screw when used)

### Ground Screw Material

#10-32 Bronze (Green)

<b>Contact Spring Material</b>	.040" Brass
<b>Mounting Screw Material</b>	Steel-zinc-plated
<b>Cover (Top) Material</b>	Black Nylon
<b>Base Material</b>	Nylon Polyester
<b>Ground Contact Material</b>	.040" Brass
<b>Bridge (Mounting Strap) Material</b>	.050" Brass
<b>Back Plate Material</b>	.040" Brass
<b>Rivet Material</b>	Brass
<b>Auto Ground Clip Material</b>	Stainless Steel
<b>Ratings</b>	Molded into face.
<b>Dielectric Voltage Withstand</b>	2,000V minimum
<b>Current Interrupting</b>	Certified for current interrupting at full rated current.
<b>Temperature Rise</b>	Max 30 C temperature rise at full rated current after 50 cycles of overload at 150% of rated current at a power factor of .75.
<b>Terminal Accommodation</b>	30A-#10AWG
<b>Terminal Identification</b>	Terminals identified in accordance with UL 498 (X, Y, Z, White, Green)
<b>Flammability</b>	HB or better per UL 94 or CSA 22.2 No. 0.6
<b>Operating Temperatures</b>	Maximum Continuous 75 C Minimum -40 C (w/o impact)
<b>Listings</b>	FED SPEC UL/CSA
<b>Catalog Page</b>	<a href="#">Click here for catalog page B54</a>
<b>Brochures</b>	<a href="#">Click here for product brochure</a>
<b>Hubbellnet</b>	<a href="#">Click here for Hubbellnet</a>
<b>Catalog Section</b>	<a href="#">Click here for Section-B</a>
<b>UPC Number</b>	78358523623
<b>Weight in LBs</b>	0.3



NEMA  
Configuration

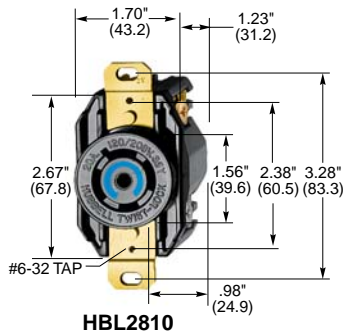


## TWIST-LOCK® Devices

### 4 Pole, 5 Wire Grounding

30 Ampere, 3Ø Y 120/208, 277/480 and 347/600 Volts AC

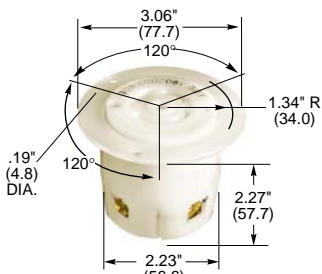
Receptacles, INSULGRIP® Connector Bodies, Flanged Devices and Plugs



**HBL2810**



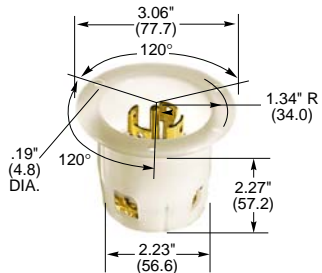
**HBL2813**



**HBL2816**



**HBL2811**



**HBL2815**



NEMA L21-30R  
30A 3ØY  
120/208V AC  
UL/CSA  
3 HP



NEMA L22-30R  
30A 3ØY  
277/480V AC  
UL/CSA  
10 HP



NEMA L23-30R  
30A 3ØY  
347/600V AC  
UL/CSA

### Single Flush Receptacles, Back and Side Wired

Description	Catalog Numbers		
Black nylon face.	<b>HBL2810</b>	<b>HBL2820</b>	<b>HBL2830</b>
Isolated ground, orange nylon face.	<b>IG2810</b>	-	-

### Insulgrip Connector Bodies IP20 SUITABILITY

Description	Catalog Numbers		
Black and white nylon.	<b>HBL2813</b>	<b>HBL2823</b>	<b>HBL2833</b>
Corrosion resistant, yellow nylon.	<b>HBL28CM13</b>	-	-

Note: Cord grip range .35"-1.15" (9-29).

### Insulgrip Flanged Receptacles

Description	Catalog Numbers		
Nylon casing, back wired.	<b>HBL2816</b>	<b>HBL2826</b>	<b>HBL2836</b>



NEMA L21-30P  
30A 3ØY  
120/208V AC  
UL/CSA  
3 HP



NEMA L22-30P  
30A 3ØY  
277/480V AC  
UL/CSA  
10 HP



NEMA L23-30P  
30A 3ØY  
347/600V AC  
UL/CSA

### Insulgrip Plugs IP20 SUITABILITY

Description	Catalog Numbers		
Black and white nylon.	<b>HBL2811</b>	<b>HBL2821</b>	<b>HBL2831</b>
Corrosion resistant, yellow nylon.	<b>HBL28CM11</b>	-	-

Notes: Grip range .35"-1.15" (9-29).

See page B-73 for Add-A-Shroud™ kit.

### Insulgrip Flanged Inlets

Description	Catalog Numbers		
Nylon casing, back wired.	<b>HBL2815</b>	<b>HBL2825</b>	<b>HBL2835</b>

Notes: Only receptacles and plugs 480V AC or less are HP rated.

HP rating are AC only.

See pages B-70 and B-71 for accessories.

For technical information see page B-83.

See page B-63 for a switched enclosure.